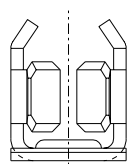
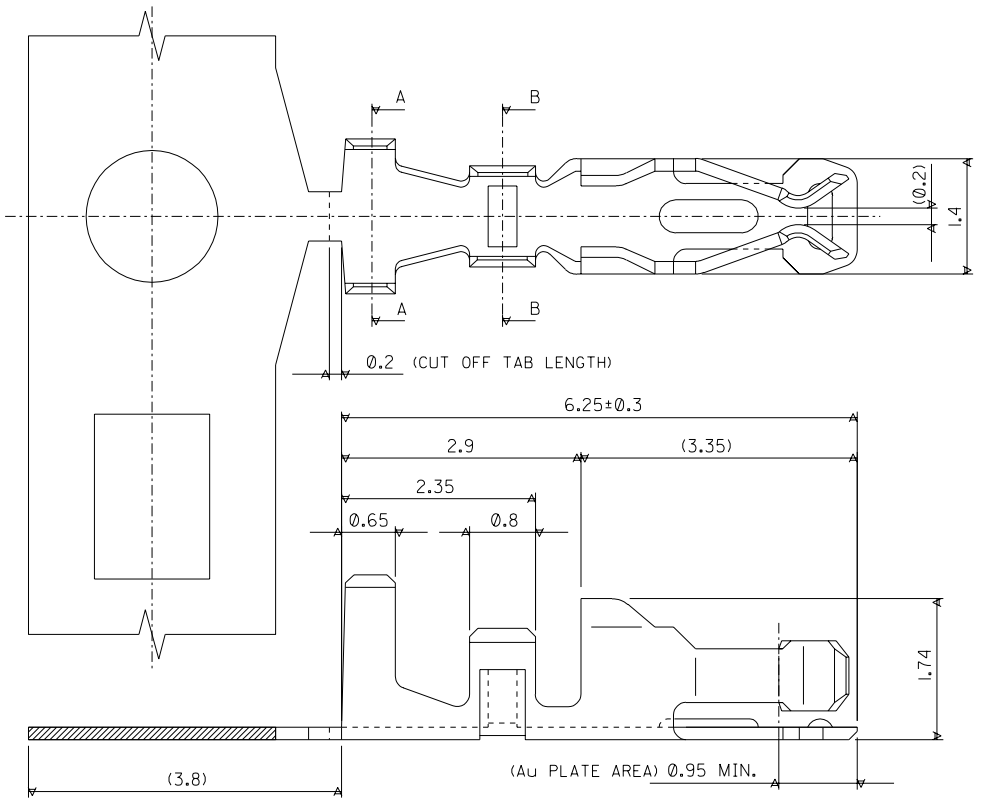


DO NOT SCALE DRAWING

CAD FILE
S50394T1.DGN

DWG. NO.
SD_50394-8051



NOTES.
1. APPLICABLE HOUSING : 51110-***1
: 51110-***5

GOLD FLASH 0.05-0.125 μ M	50394-8400	50394-8054
0.38 Pd/Ni w/ GOLD FLASH	50394-8300	50394-8053
0.76	50394-8200	50394-8052
0.38	50394-8100	50394-8051
Au. PLATE THICK. (μ m MIN.)	FORM:LOOSE	FORM:CHAIN
ENG.No.		

				MATERIAL : PHOSPHOR BRONZE (THK=0.152)		MOLEX SINGAPORE PTE LTD SHEET 1 OF 1	
A2	ADD GOLD FLASH AS PER ECN*S2003-0030	-	NASH RCL	02/07/12	FINISH : SEE NOTES		
A1	ADD 0.38 Pd/Ni WITH GOLD FLASH AS PER PDR*98-01- 0267 (ECN*S1998-0364)	-	SEE	980312			GENERAL TOLERANCES ± 0.20/.008 DWG. NO.: SD150394-8***
A	REL AS PER ECN*	S40519	SO	EDP	940420	REV A2	
LTR	REVISION RECORD	ECN	DR	CHK	DATE	TITLE : 2.0mm GRID W TO B CONN. CRIMP TERMINAL	
REVISE ONLY ON CAD SYSTEM						DRAWN BY S.O. 940420	CHK'D BY EDPOH 940427
						APPR'D BY ROY 940428	SCALE 15:1